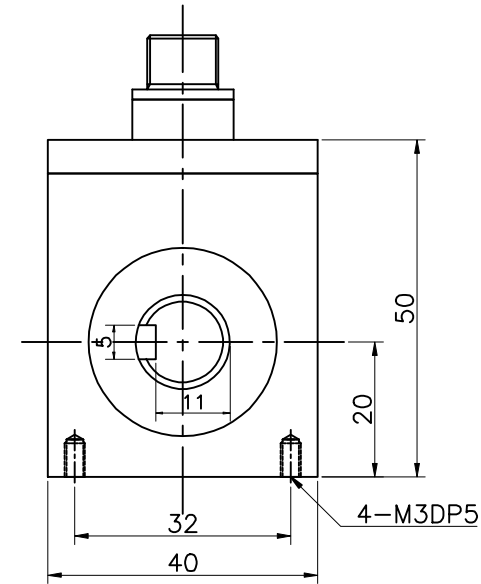
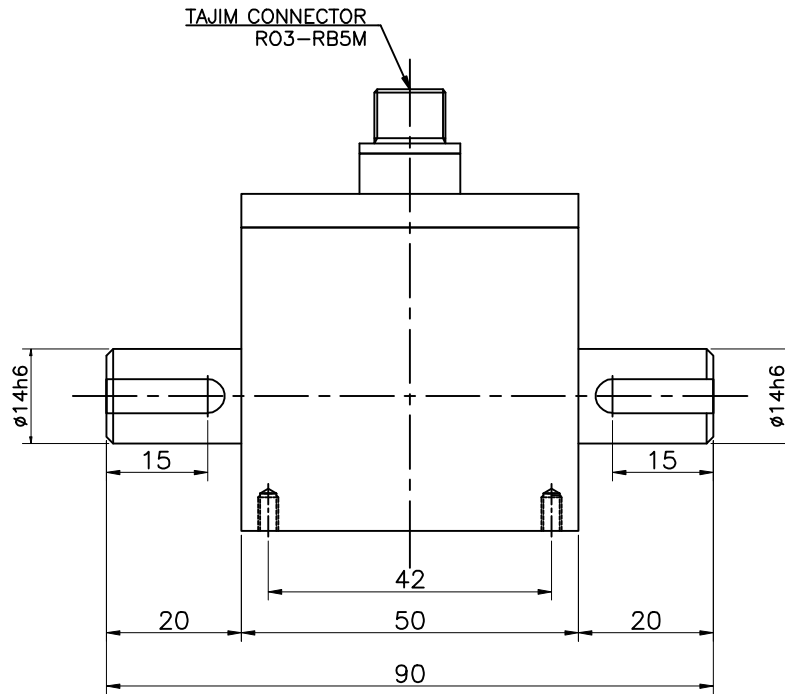
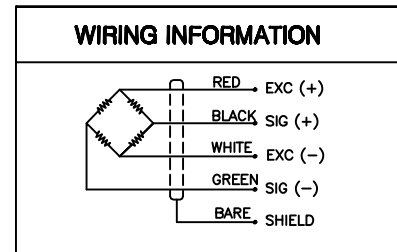


본 도면은 DA CELL(주)의 사유 재산이므로 DA CELL(주)의 허가 없이 유출 및 무단복제를 할 수 없습니다.

NO	DATE	ZONE	REVISION	CO'T	SIGN
△					

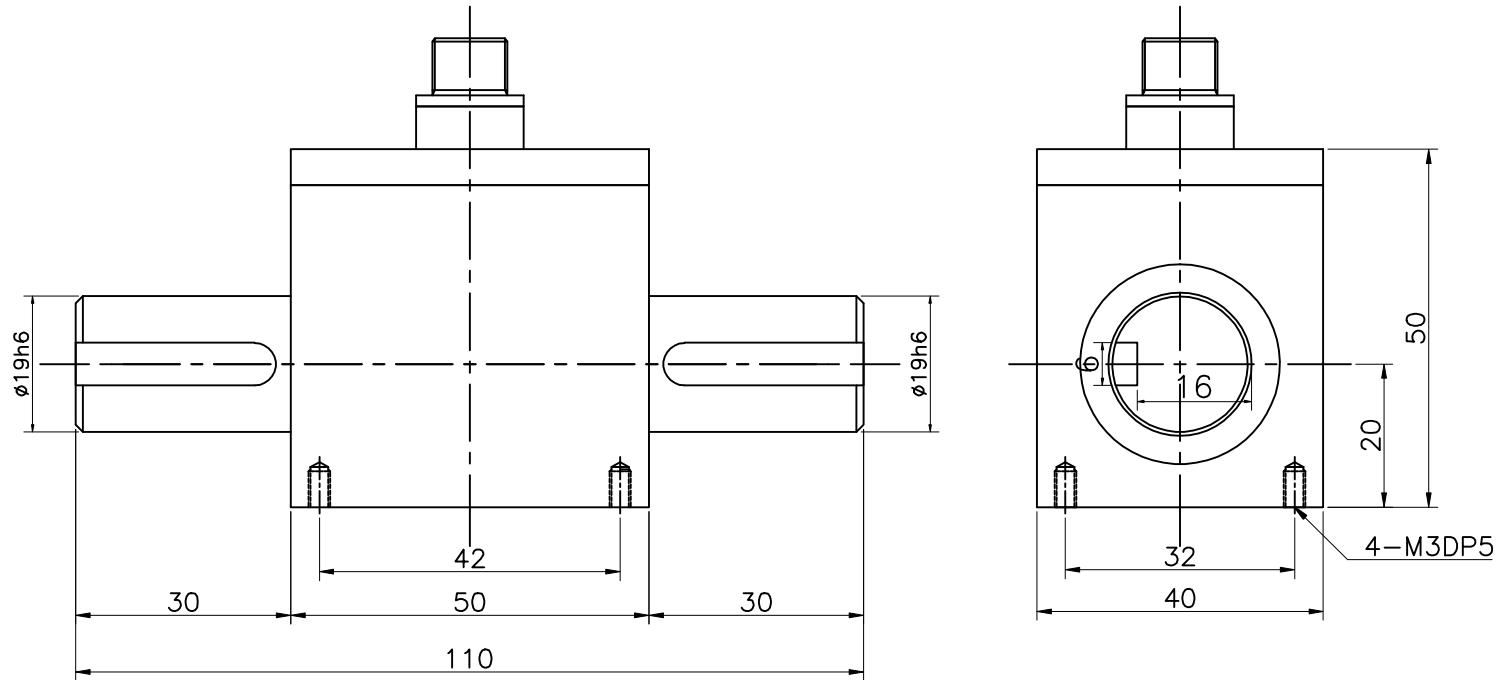


SPECIFICATION	
MODEL	TRD8
RATED CAPACITY (R.C.)	5N-m, 10N-m, 20N-m
RATED OUTPUT (R.O.)	2mV/V ± 1%
NON-LINEARITY	0.3% R.O.
HYSTERESIS	0.2% R.O.
REPEATABILITY	0.3% R.O.
TEMP. EFFECT ON RATED OUTPUT	0.3%LOAD/10°C
TEMP. EFFECT ON ZERO BALANCE	0.2%R.O./10°C
TERMINAL RESISTANCE	350 Ohm ± 1%
INSULATION RESISTANCE BRIDGE TO GROUND	200MΩ
ELECTRICAL CONNECTION	∅7 x 4Core x 3m
EXC. RECOMMENDED	10V
SAFE OVERLOAD	120% R.C.
ROTATION IN RPM	3000



1	TORQUE SENSOR								
NO	DESCRIPTION	MATERIAL	HEART TREAT	Q'TY	DIMENSIONS	REMARK			
	CHAMFER	SCALE 1 : 1	ANGLE 1st 3rd	DESCRIPTION TORQUE SENSOR					
	<input type="checkbox"/> C 0.1 <input type="checkbox"/> C 0.3 <input type="checkbox"/> C 0.5 <input type="checkbox"/> C 1	DRAWN BY	PLANNED BY	CHECKED BY	APPROVED BY	MODEL	ORDER.		
	TOLERANCE LIMITS					TRD8-5N, 10N, 20N	ORDER DWG. NO		
	<input checked="" type="checkbox"/> MM <input type="checkbox"/> INCH 0. ±0.1 0.0 ±0.04 0.0 ±0.05 0.00 ±0.02 0.00 ±0.01 0.000 ±0.004 0.000 ±0.002 0.0000 ±0.0002					DWG NO	TRD8-5N, 10N, 20N		
		DA CELL		TEL 043-260-2242 www.dacell.co.kr		SHEET			

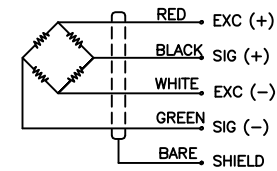
NO	DATE	ZONE	REVISION	CO'T	SIGN
▲					



SPECIFICATION

MODEL	TRD8
RATED CAPACITY (R.C.)	50N-m, 75N-m, 100N-m
RATED OUTPUT (R.O.)	2mV/V \pm 1%
NON-LINEARITY	0.3% R.O.
HYSTERESIS	0.2% R.O.
REPEATABILITY	0.3% R.O.
TEMP. EFFECT ON RATED OUTPUT	0.3%LOAD/10°C
TEMP. EFFECT ON ZERO BALANCE	0.2%R.O./10°C
TERMINAL RESISTANCE	350 Ohm \pm 1%
INSULATION RESISTANCE BRIDGE TO GROUND	200M Ω
ELECTRICAL CONNECTION	$\phi 7$ x 4Core x 3m
EXC. RECOMMENDED	10V
SAFE OVERLOAD	120% R.C.
ROTATION IN RPM	3000

WIRING INFORMATION



1	TORQUE SENSOR					
NO	DESCRIPTION	MATERIAL	HEART TREAT	Q'TY	DIMENSIONS	REMARK
	CHAMFER	SCALE 1 : 1	ANGLE 1st	DESCRIPTION TORQUE SENSOR		
	<input type="checkbox"/> C 0.1 <input type="checkbox"/> C 0.3		3rd	MODEL TRD8-50N, 75N, 100N		
	<input checked="" type="checkbox"/> C 0.5 <input type="checkbox"/> C 1	DRAWN BY	PLANNED BY	CHECKED BY	APPROVED BY	ORDER. ORDER DWG. NO
	TOLERANCE LIMITS					MODEL (50N-m, 75N-m, 100N-m)
	<input checked="" type="checkbox"/> MM <input type="checkbox"/> INCH					DWG NO TRD8-50N, 75N, 100N
	0. \pm 0.1 0.0 \pm 0.04					SHEET
	0.0 \pm 0.05 0.00 \pm 0.02					
	0.00 \pm 0.01 0.000 \pm 0.004					
	0.000 \pm 0.002 0.0000 \pm 0.0002					
		DACELL		TEL 043-260-2242		
				www.dacell.co.kr		